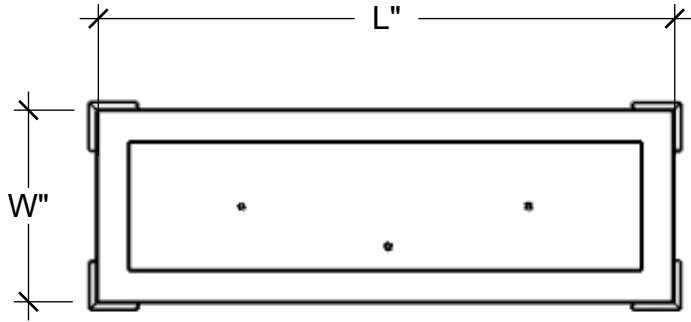
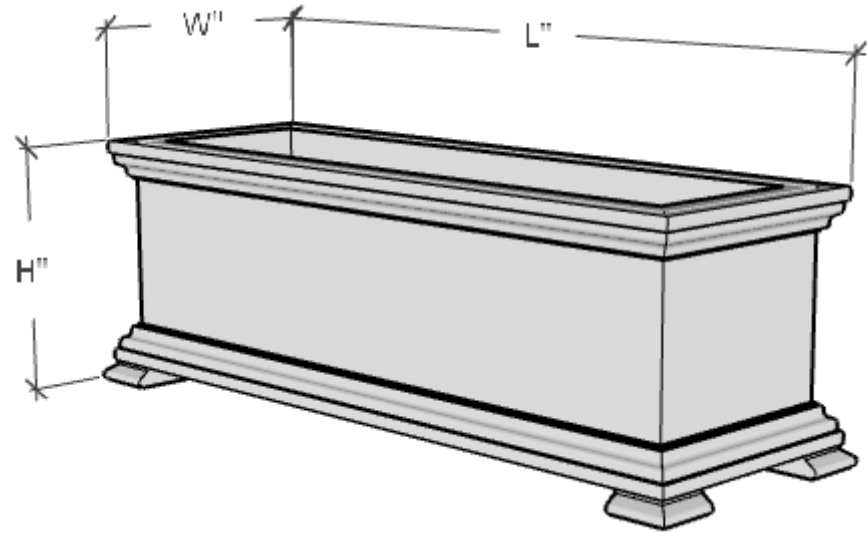


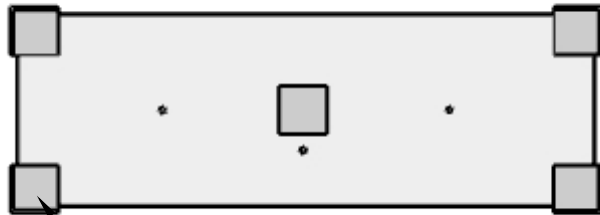
**TOP VIEW**



**PERSPECTIVE VIEW**



**BOTTOM VIEW**



(4) 3" x 3" x 1"Thk. Feet

Standard Sizes	
24"L x 12"W x 12"H	A2-P501FT-241212
36"L x 12"W x 12"H	A2-P501FT-361212
48"L x 12"W x 12"H	A2-P501FT-481212

GENERAL NOTES
1. 1" x 1" PVC Supports along interior seams 2. Unfinished PVC 3. Standard Drainage

**HOOKS & LATTICE**

A CARLSBAD MANUFACTURING COMPANY

1 (800) 896-0978

HooksandLattice.com

PRODUCT DESCRIPTION				SKU				PREPARED FOR		APPROVAL SIGNATURE
LAGUNA PREMIER DECK PLANTER W/ FEET										
DIMENSIONS	MATERIAL	COLOR / FINISH	REP	DB	DATE	REV	ORDER #	PROJECT / SIDEMARK / IF#		APPROVAL DATE
	PVC		Cressa	RM	11/2024					

PLEASE NOTE: Due to the handmade nature of our products, individual measurements may vary from those listed. The provided dimensions are for reference only

All images are the intellectual property of Hooks and Lattice. Reproduction in any form is strictly prohibitive without the express written permission of Hooks and Lattice. All designs are property of Hooks and Lattice.